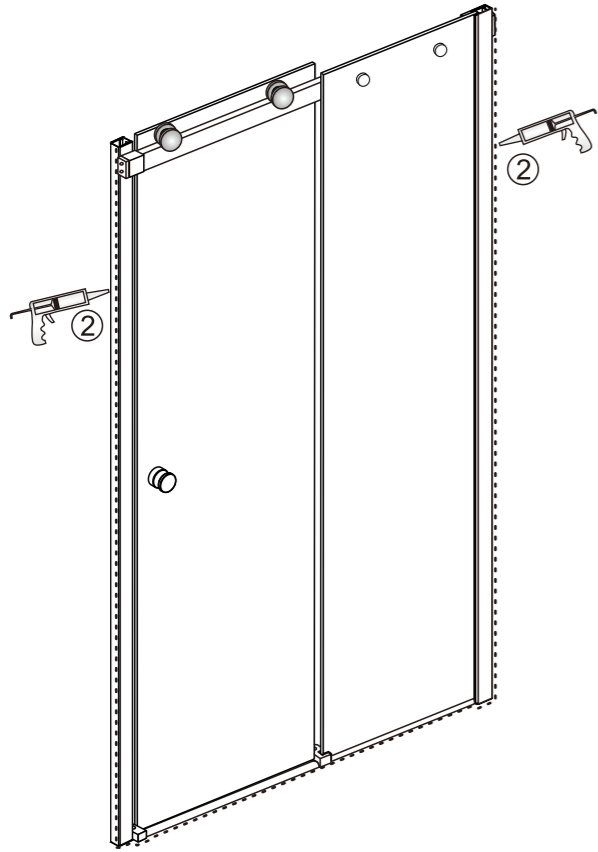


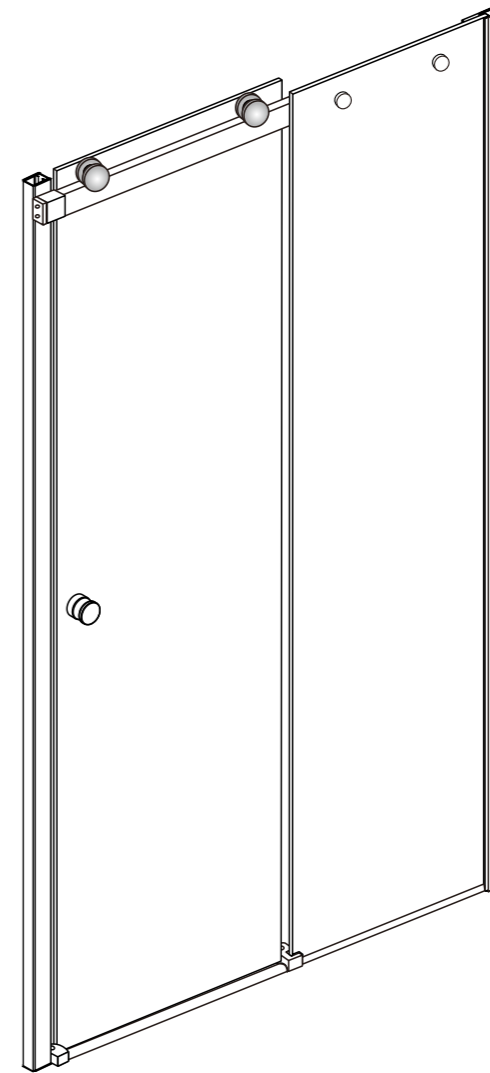
Step 7



Allow 24 hours for silicone to dry before use.

INSTALLATION INSTRUCTIONS

SD-0922-60/SD-0923-72



◆ General Information

Please inspect the product immediately upon receipt for transit damage, missing packs/parts or manufacturing fault. Damage reported later cannot be accepted. Please handle the product with care avoiding knocks and shock loading to all sides and edges of the glass.

Notes: Safety glass can not be re-worked.

Please read these instructions carefully before start of installation.

Special care should be taken when drilling walls to avoid hidden pipes or electrical cables.

Note: This product is heavy and may require two people to install.

Aftercare instructions

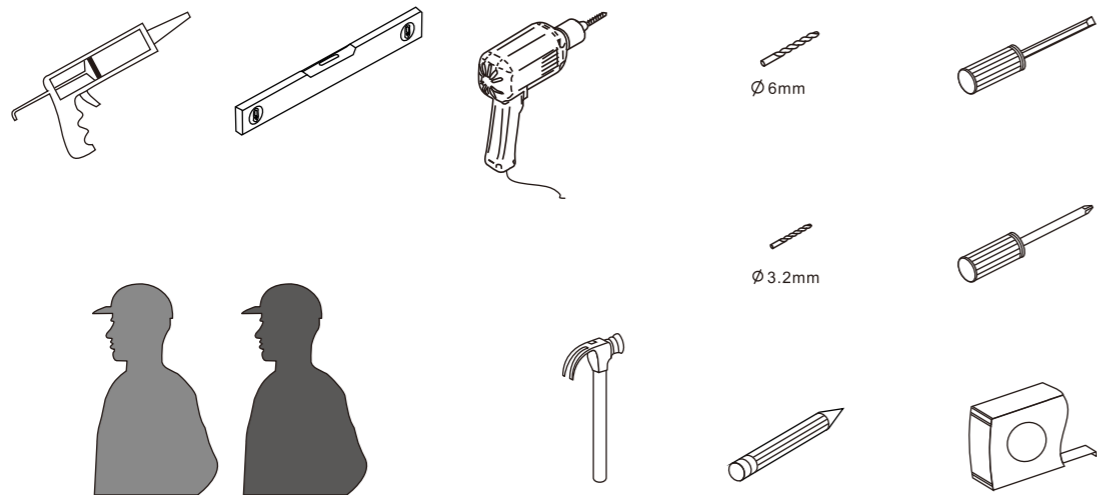
After use, your shower should be cleaned with soap and water. This is particularly important in hard water districts where insoluble lime salts may be deposited and allowed to build up.

Cleaners of a gritty or abrasive nature should not be used. Care should be taken to avoid contact with strong chemicals such as organic solvents and strippers.

Glass cleaners can be used but with caution, if in doubt contact the manufacturer of the cleaner in question.

Please keep these instructions for aftercare and customer service details.

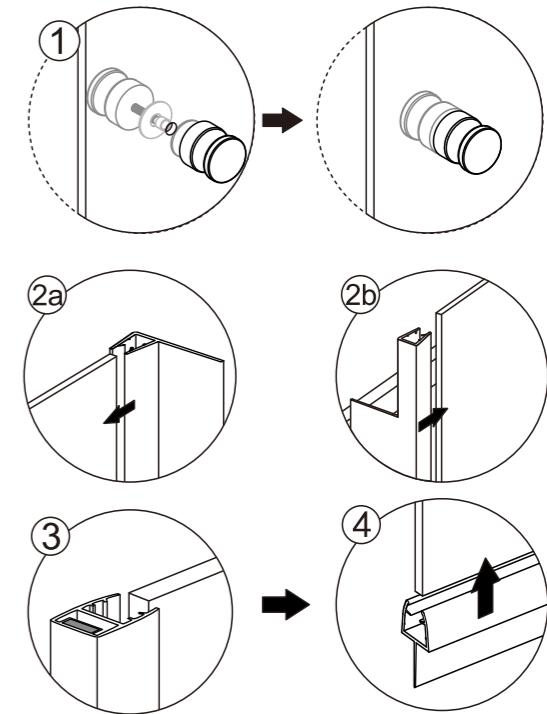
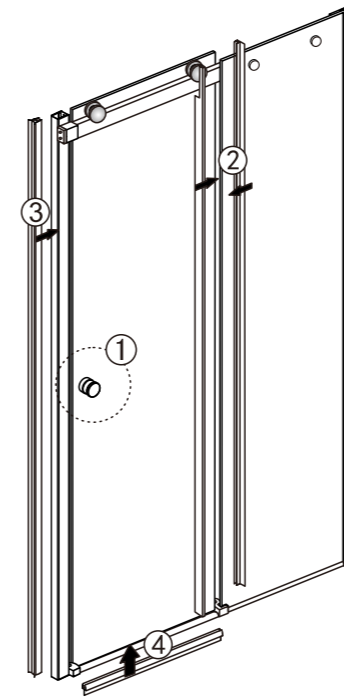
Tools Required



This product is heavy and may require two people to install.

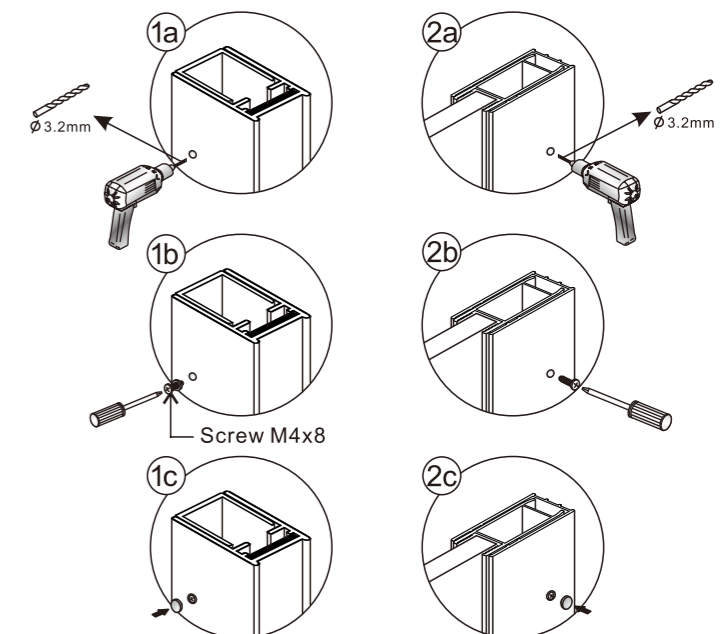
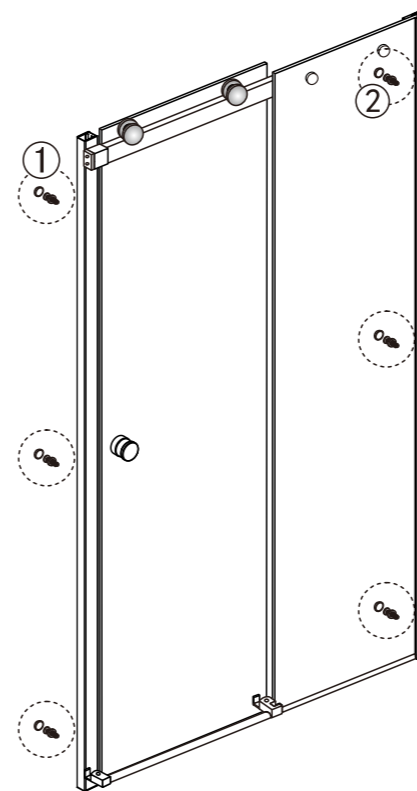


Step 5

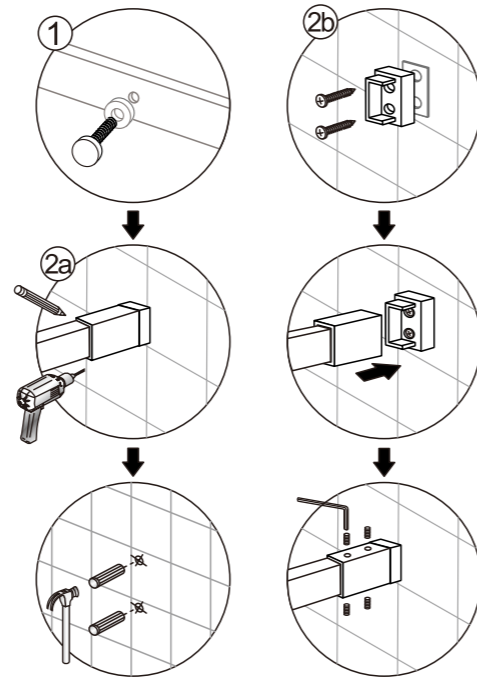
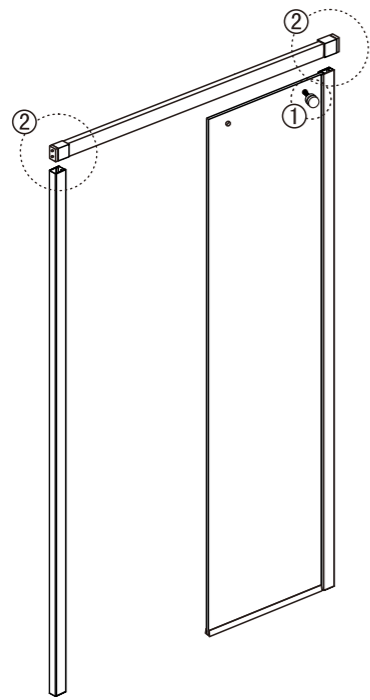


⚠ Ensure wall profiles are plumb. Adjust enclosure to be square and level. Wall post and profile should be adjust to square the doors and Ensure open door smooth.

Step 6

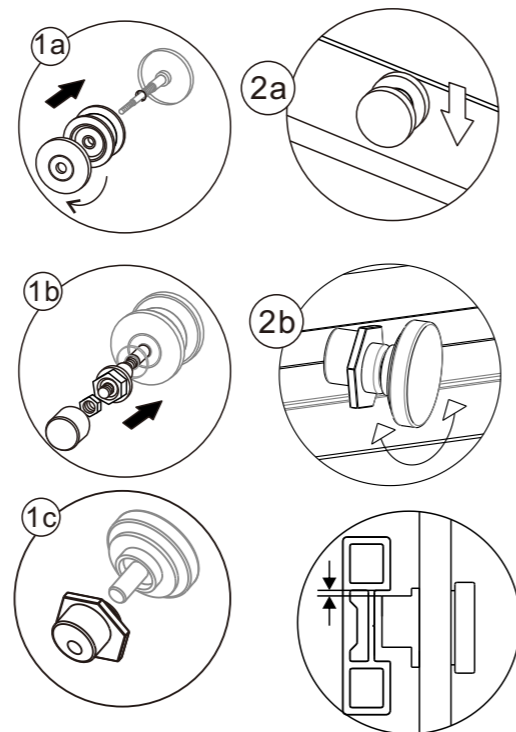
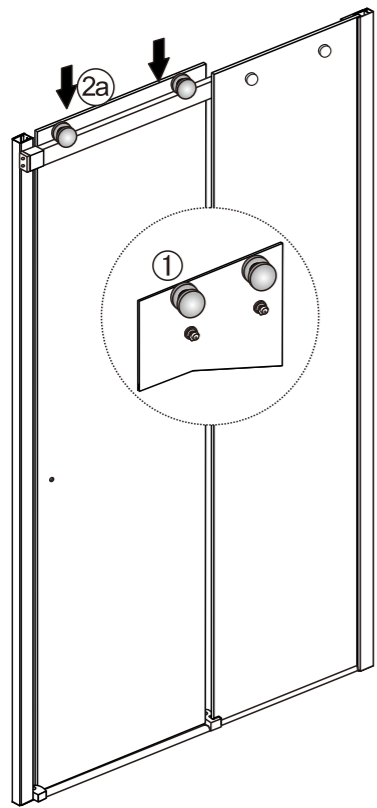


Step 3



View from inside

Step 4



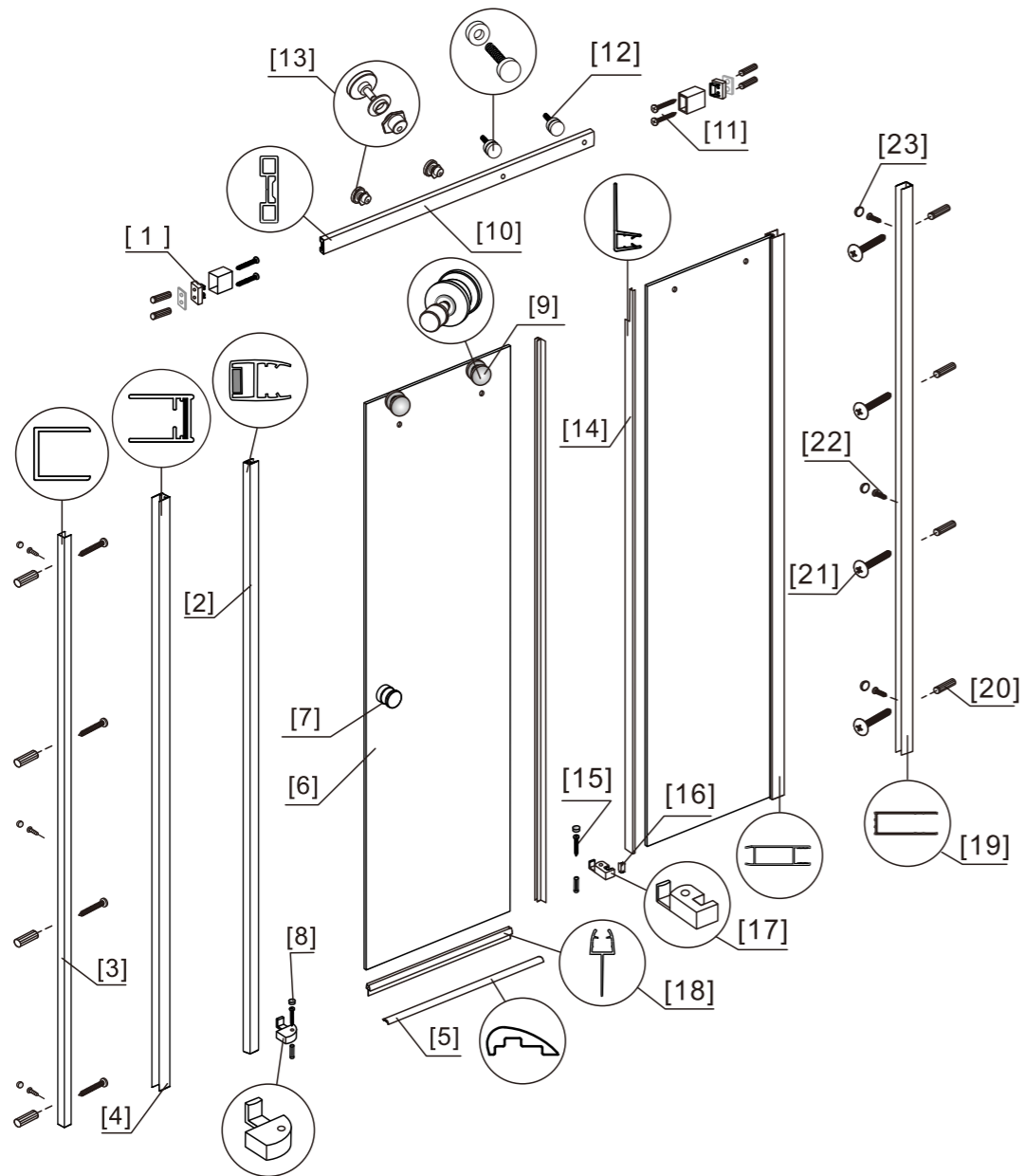
View from inside

The gaps need to be adjust to the minimal size

◆ Box Contents:

[1] 1xHorizontal Rails.	➔		
[2] 1xInstallation Instruction.	➔		
[3] 1xHandle Set.	➔		
[4] 1 xClip. 2xWall Plugs. 2xRound Screws M4x25. 2xScrew Cover Caps. 1xDeflectors.	➔		
[5] 2xFixing Part 2xAnti-collision Component	➔		
[6] 2xTop Rollers	➔		
[7] 1xFirmware. 1xWall Connectors.	➔		
[8] 8xWall Plugs. 8xFlat Screws M4x35.	➔		
[9] 6xScrews M4x8. 6xScrew Cover Caps.	➔		
[10] 4xWater Deflectors.	➔		
[11] 1xAluminum Seal.	➔		
[12] 1xWall Post.	➔		
[13] 1xFixed Panel. 1xDoor Panel.	➔		
[14] 1xClip 1xWall Post 1xPost 1xMagnetic Seal	➔		

◆ Assembly Drawing

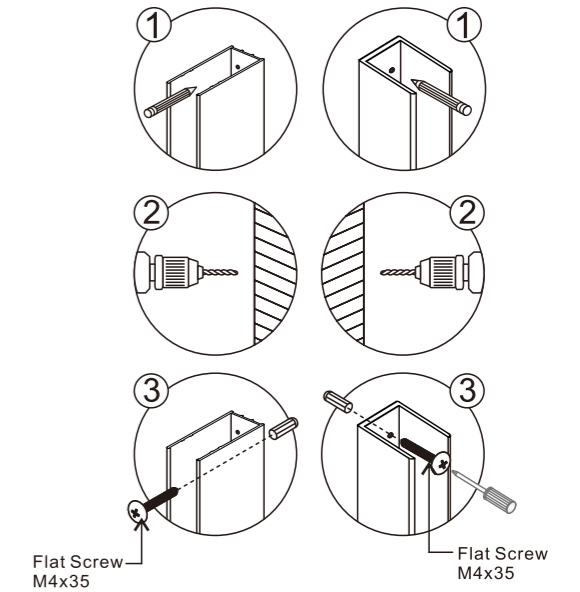
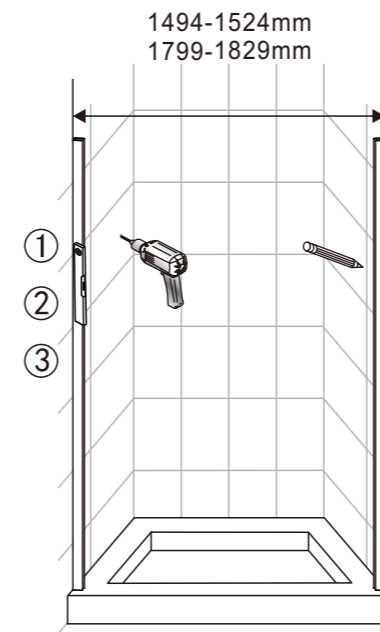


- [1] 1xProfile Covers
- [2] 1xMagnetic Seal
- [3] 1xWall Post
- [4] 1xPost
- [5] 1xAluminum Seal
- [6] 1xDoor Panel
- [7] 1xHandle Set
- [8] 2xScrew Cover Caps
- [9] 2xTop Rollers
- [10] 1xHorizontal Rail
- [11] 1xWall Connector
- [12] 2xFixing Part

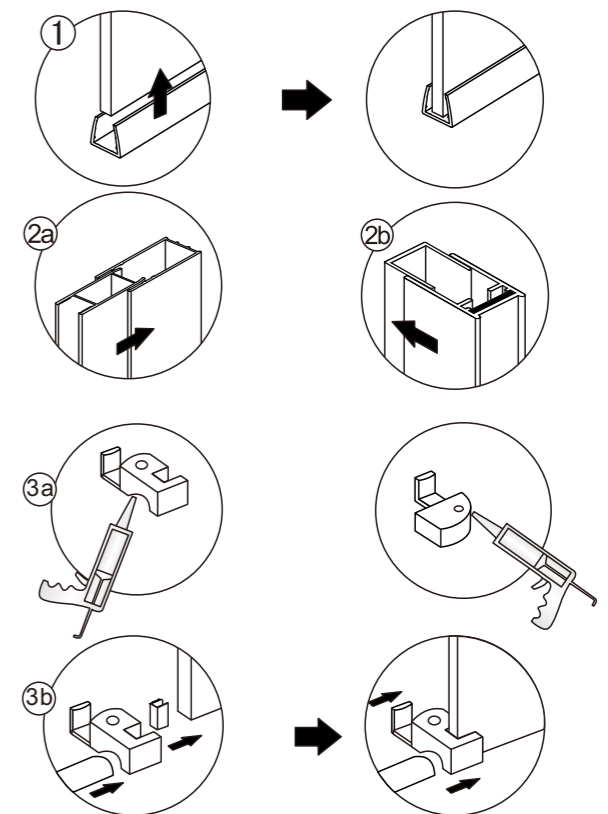
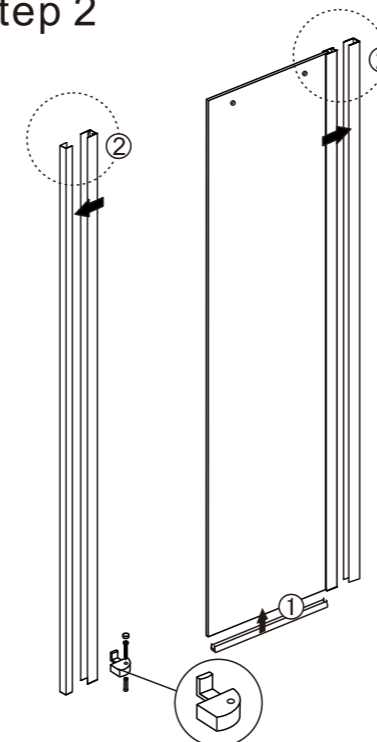
- [13] 2xAnti-collision Component
- [14] 2xWater Deflectors
- [15] 2xRound Screws M4x25
- [16] 1xWater Deflector
- [17] 2xClips
- [18] 1xWater Deflector
- [19] 1xPost
- [20] 10xWall Plugs
- [21] 8xFlat Screws M4x35
- [22] 6xScrews M4x10
- [23] 6xScrew Cover Caps

◆ Installation Steps

Step 1



Step 2



Note:
Screw fittings of shower enclosure on Strays are optional

Note:
If install clip on tray, don't need wall plug.
If install on floor, do need wall plug.