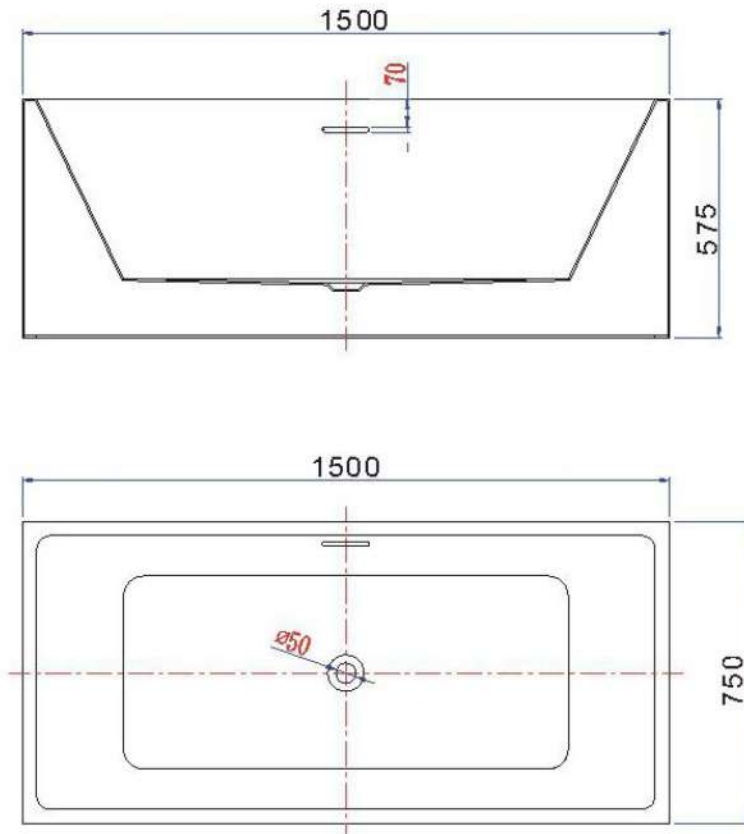


# Installation Instruction

Size: 1500×750×575mm

## Size Drawing



## Important Notice

- Please unpack the bathtub and check it carefully to ensure it has not been damaged in transport.
- The overflow and drainage for this bathtub are pre-fitted. Please check that all parts have been supplied.
- Store the bathtub in a safe place until you begin installation to avoid damage.
- Assemble the bathtub on a mat to protect against damage to bathtub surface.
- No claims for damages or blemishes will be accepted once the bathtub has been installed.
- Any installation should be carried out by a qualified plumbing technician.
- This bathtub requires two persons for proper lifting purpose.
- Please make sure that the floor is completely flat and the entire base of the bathtub must be fully supported by the floor to prevent the bathtub becoming damaged through stress.
- Please contact our local agent if you have any questions.

## Warning

- Never use the hard cleaner as it will damage the bathtub surface.
- Bathtub material is exclusive acrylic with glass fiber reinforcement; water temperature should not be higher than 90°C.
- Please ensure that children are supervised when using the bathtub.
- An anti-slip rubber mat may be used to avoid accidents that may occur from the slippery surface.
- Individuals who have health conditions should consult their physicians before using the bathtub.

## Maintenance

- Please avoid touching the hard or sharp things for bathtub surface. If some scratches or abrasion, grind with #2000 waterproof abrasive paper, then polish with toothpaste and soft cloth.
- Please use the soft wet cloth or sponge with neutral detergent when cleaning the bathtub, never use corrosive detergent such as strong acetic or soda etc for cleaning to avoid damaging the bathtub surface.
- The overflow and waste cover shall not touch the hard or sharp things as scratch, never sweep them with rough cloth.

## Installation Steps

